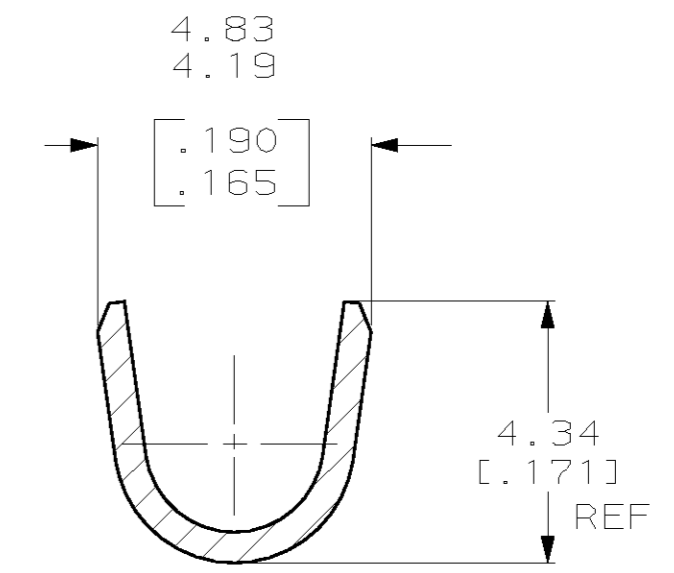
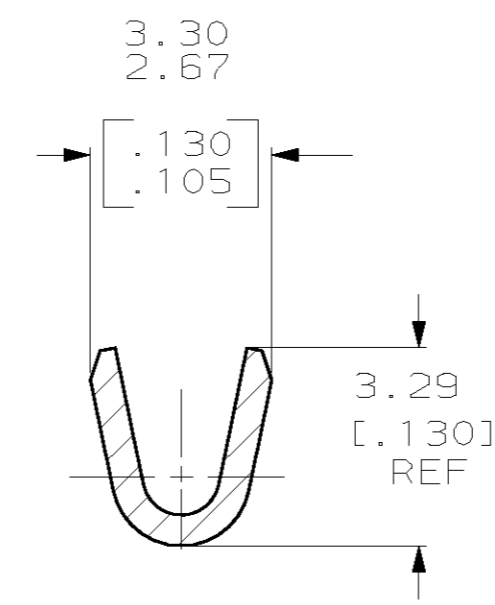
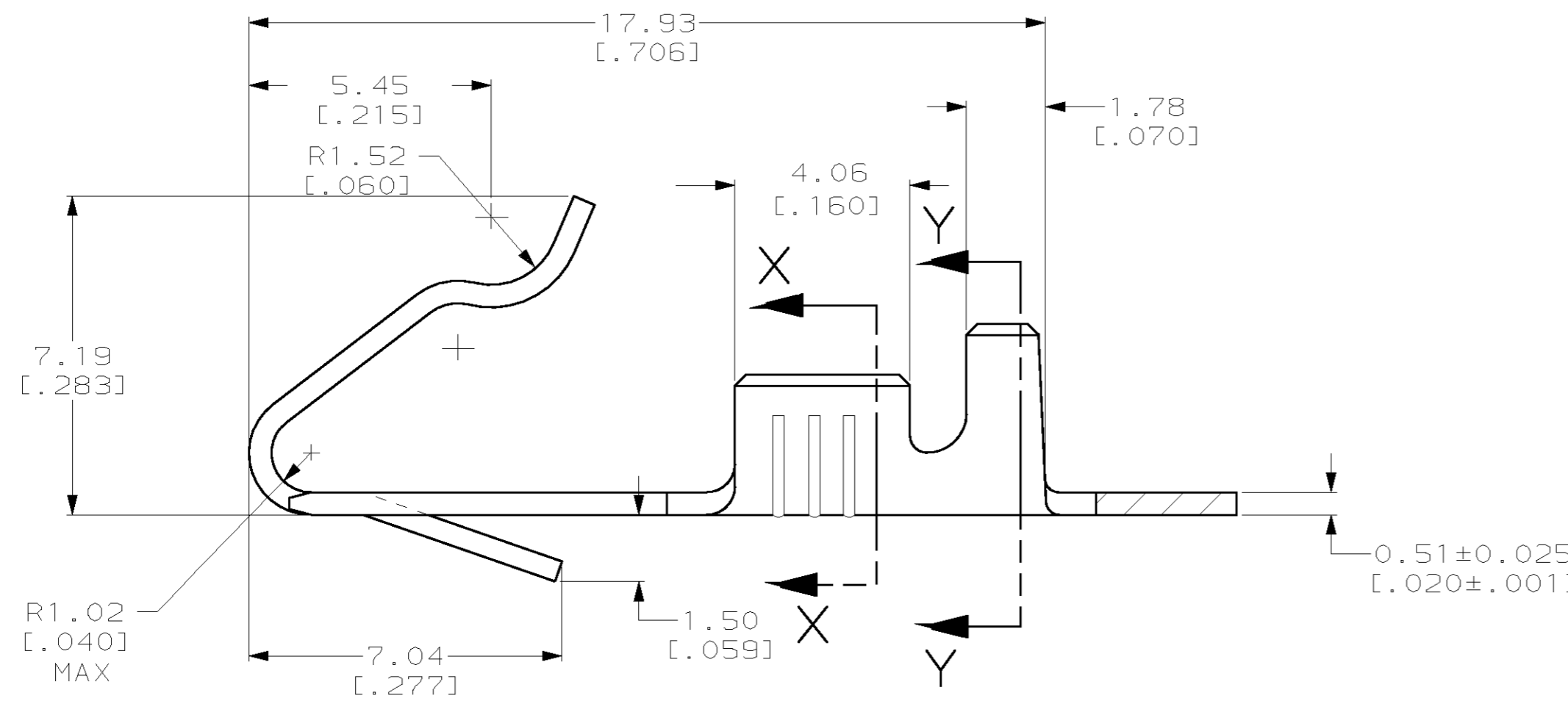
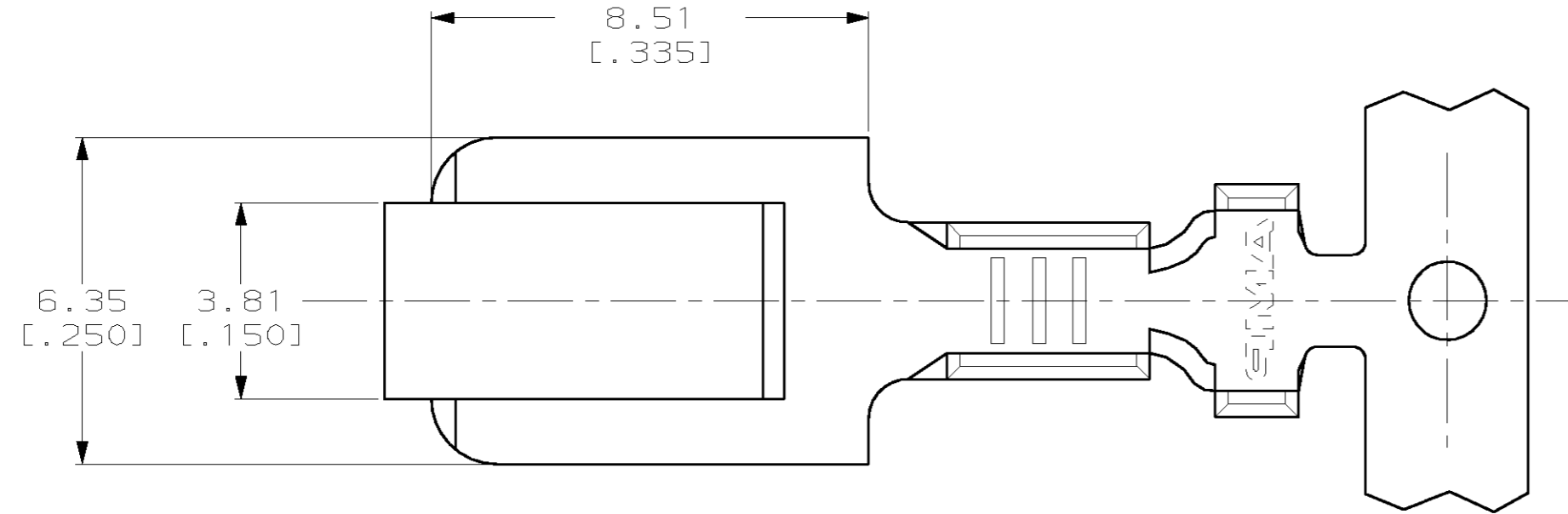


THIS DRAWING IS UNPUBLISHED. RELEASED FOR PUBLICATION .19  
 (C) COPYRIGHT 19 BY AMP INCORPORATED. ALL RIGHTS RESERVED.

LOC	DIST	REVISIONS			
P	LTR	DESCRIPTION	DATE	DWN	APVD
AF	50	A	REL PER 0G3A-0364-01	11 JUN01	JR DD

- 1 CONTINUOUS STRIP ON REELS
- 2 WIRE SIZE IS [#20-#16] AWG.
- 3 INSULATION RANGE IS 3.30 [.130] MAX



SECTION X-X

SECTION Y-Y

1217486

1217486-1  
 PART NO.

THIS DRAWING IS A CONTROLLED DOCUMENT.		DWN JR RUTH 29JAN01	AMP Incorporated Harrisburg, PA 17105-3608	
DIMENSIONS: MM (INCHES)		CHK MS FEHER 29JAN01	<b>AMP</b> FLUORESCENT TUBE SOCKET TERMINAL	
TOLERANCES UNLESS OTHERWISE SPECIFIED:		APVD D DECKER 29JAN01		
0 PLC ±- 1 PLC ±- 2 PLC ±0.25 [.010] 3 PLC ±- 4 PLC ±- ANGLES ±-		PRODUCT SPEC -	SIZE A2	CAGE CODE 00779
MATERIAL H04 BRASS		FINISH 0.002032 [.000080] MIN TIN	APPLICATION SPEC -	DRAWING NO 1217486
		WEIGHT -	RESTRICTED TO -	SCALE 8:1
		CUSTOMER DRAWING	SHEET 1	OF 1
			REV A	